



iPlant Collaborative | Atmosp x

← → ↻ <https://atmo-beta.iplantcollaborative.org/login/> ☆ 🔒 ⚙



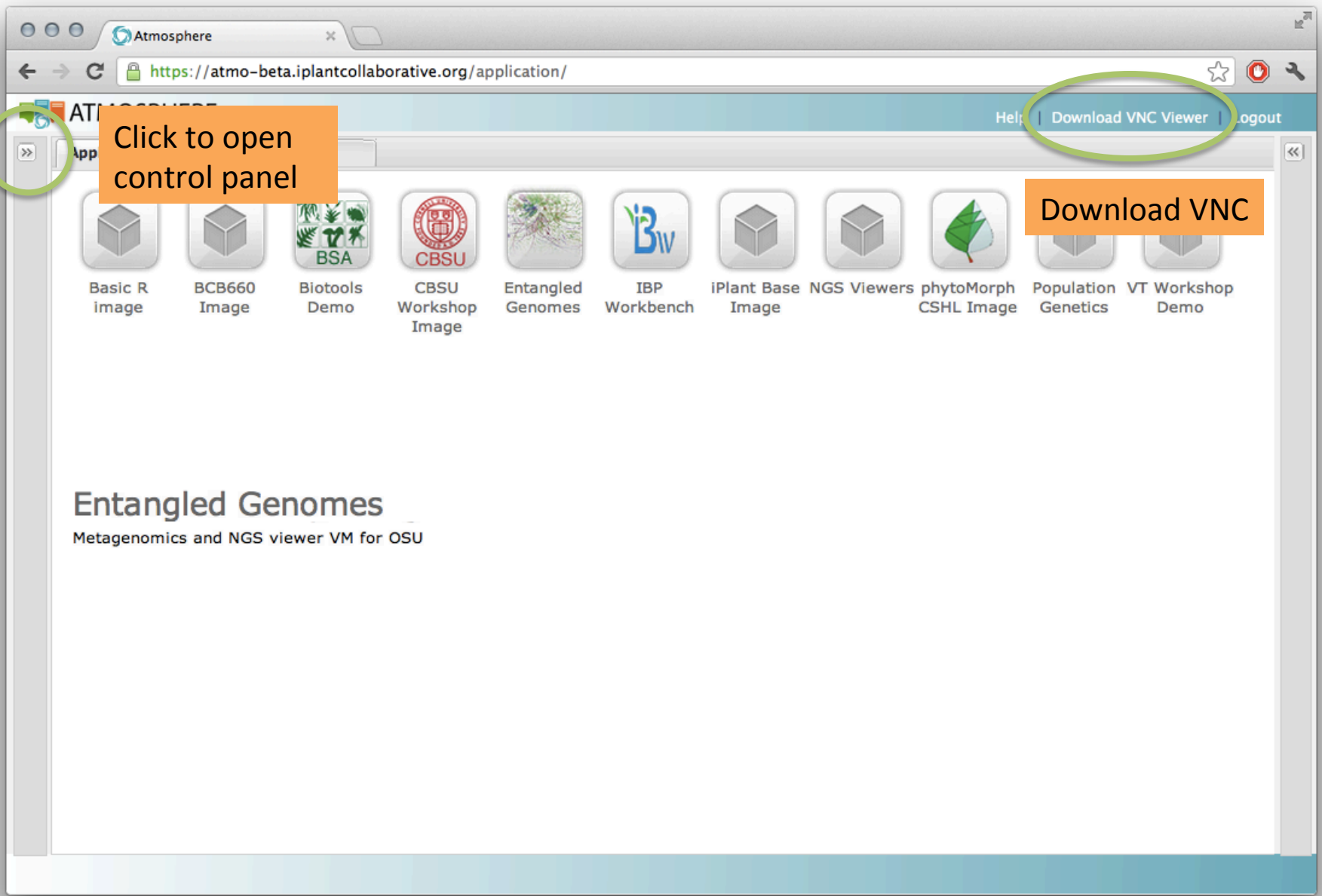
iPlant Collaborative™



iPlant Cloud Services

PROJECT ATMOSPHERE

iPlant Login



Click to open control panel

Download VNC Viewer

Download VNC

Entangled Genomes
Metagenomics and NGS viewer VM for OSU

Atmosphere

https://atmo-beta.iplantcollaborative.org/application/

ATMOSPHERE Help | Download VNC Viewer | Logout

Resources Index << Applications Dashboard >>EG2 (i-4E8C08! x

Cloud Instances

- Entangled Genomes (i-2DB40691
- EG2 (i-4E8C089D)

Machine Images +

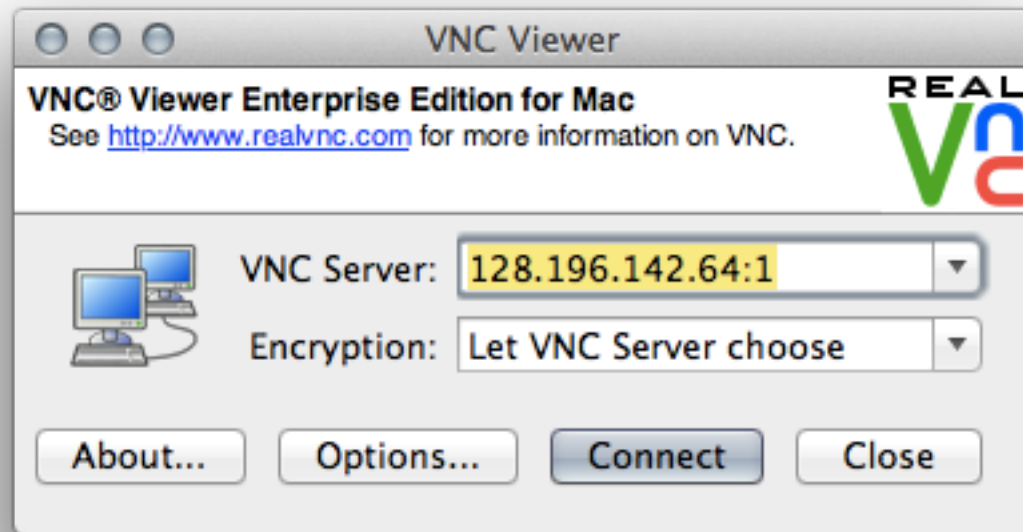
Machine Volumes +

EC2 Instance: EG2 (i-4E8C089D)

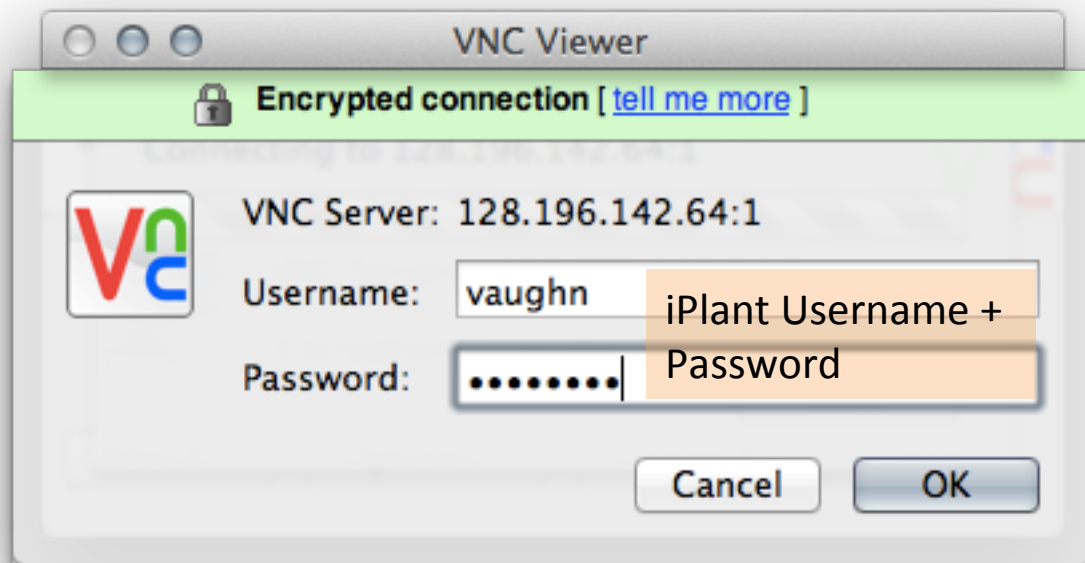
Terminate Refresh Edit Attach Volume Detach Volume Advanced Shell VNC

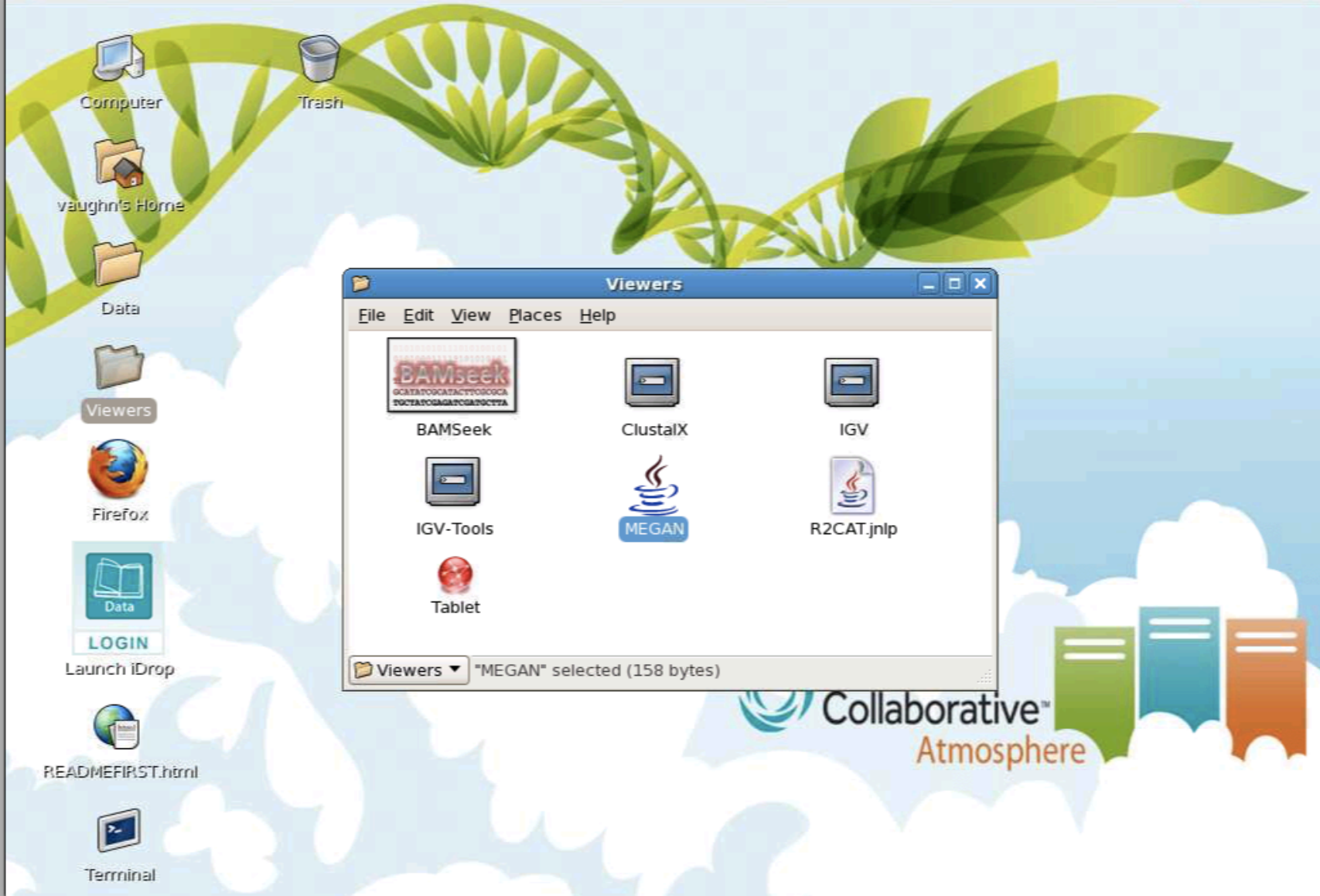
| | |
|--|--------------------------------------|
| Instance Name: EG2 | Instance ID: i-4E8C089D |
| Machine Image ID: emi-821E2745 | Zone: bespin |
| Security Groups: default | Type: m1.small |
| Status: running | Owner: vaughn |
| Virtualization: Paravirtual, Euca-Xen | Reservation: r-47B207E2 |
| Platform: - | Key Pair Name: vaughn_new_KEY |
| Kernel ID: eki-DB23180A | RAM Disk ID: eri-B6B91781 |
| Public DNS: 128.196.142.64 | Private DNS: 128.196.142.64 |
| Launch Time: 2012-08-11T11:48:53.435Z | Lifecycle: normal |
| Block Device: | |
| Instance Tags: | |
| Instance Description: Test launch | |

https://atmo-beta.iplantcollaborative.org/application/#



Address from
email and add :1





Untitled - MEGAN (version 4.69.4, built 5 Jul 2012) - Unlicensed - please obtain license

File Edit Select Options Layout Tree Window



Register license for MEGAN

Please supply a license key for use of program.
A license is available from:
www-ab.informatik.uni-tuebingen.de/software/megan

Name:

Institute/Site/Company:

Email:

Key:

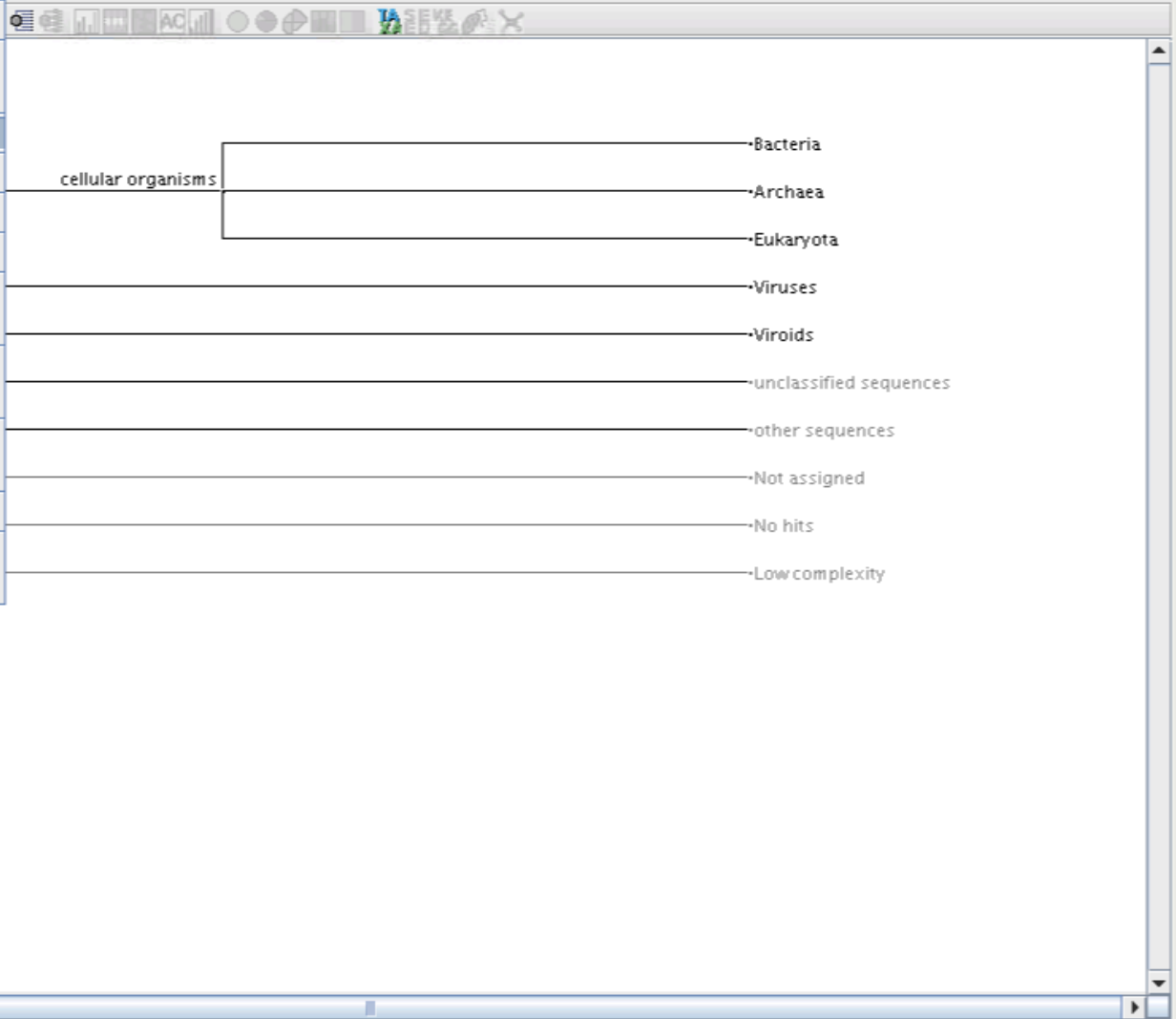
Messages - MEGAN

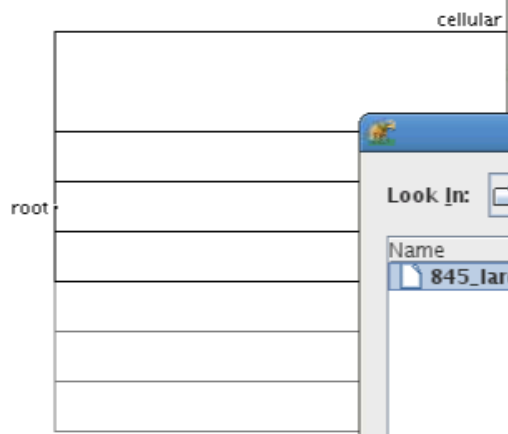
File Edit

Untitled - MEGAN (version 4.69.4, built 5 Jul 2012) - Unlicensed - please obtain license

File Edit Select Options Layout Tree Window

- New... Ctrl-N
- Open... Ctrl-O
- Open Recent
- Import From BLAST... Ctrl+Shift-O
- Save As...
- Export
- Export Image... Ctrl-E
- Page Setup...
- Print... Ctrl-P
- Extract To New Document...
- Extract Reads...
- Import CSV...
- Import QIIME...
- Properties...
- Close Ctrl-W
- Quit Ctrl-Q





Important BLAST and READs files - MEGAN

Import Content (Files) (LCA Params) (Advanced)

Setup import of data from BLAST (or RDP or Silva or SAM) in three steps

Open

Look In: large

| Name | Size | Modified |
|---------------------|--------|------------------|
| 845_large_blastx... | 165 MB | 8/10/12 11:00 AM |

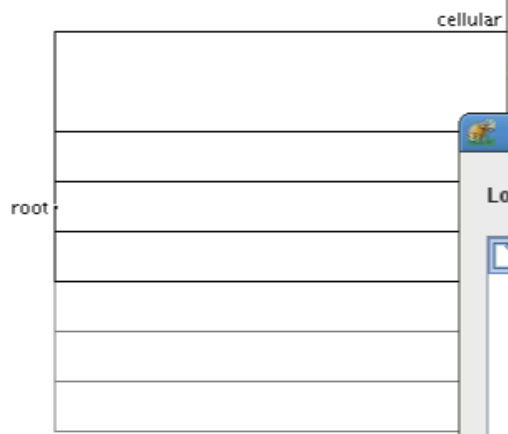
File Name: 845_large_blastx_out.txt.gz

Files of Type: BLAST files (extension: .blast, .blastx, .blastn, .blastp, .blastxml, .tab, .txt, .xml or .gz)

Open Cancel

Next Step

Cancel Apply



Important BLAST and READs files - MEGAN

Import Content (Files) (LCA Params) (Advanced)

Setup import of data from BLAST (or RDP or Silva or SAM) in three steps

Open

Look In: large

845_large_trim_qual.fasta

File Name: 845_large_trim_qual.fasta

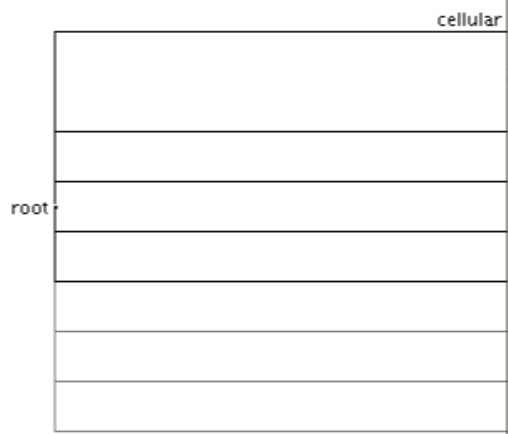
Files of Type: Sequence files in FastA format (extension: .dna, .fa, .fna or .fasta)

Open Cancel

Open selected file

Prev Step Next Step

Cancel Apply



Important BLAST and READs files - MEGAN

Import Content (Files) (LCA Params) (Advanced)

Setup import of data from BLAST (or RDP or Silva or SAM) in three steps

Step 3: Specify a new MEGAN file to save to

Phylosphere

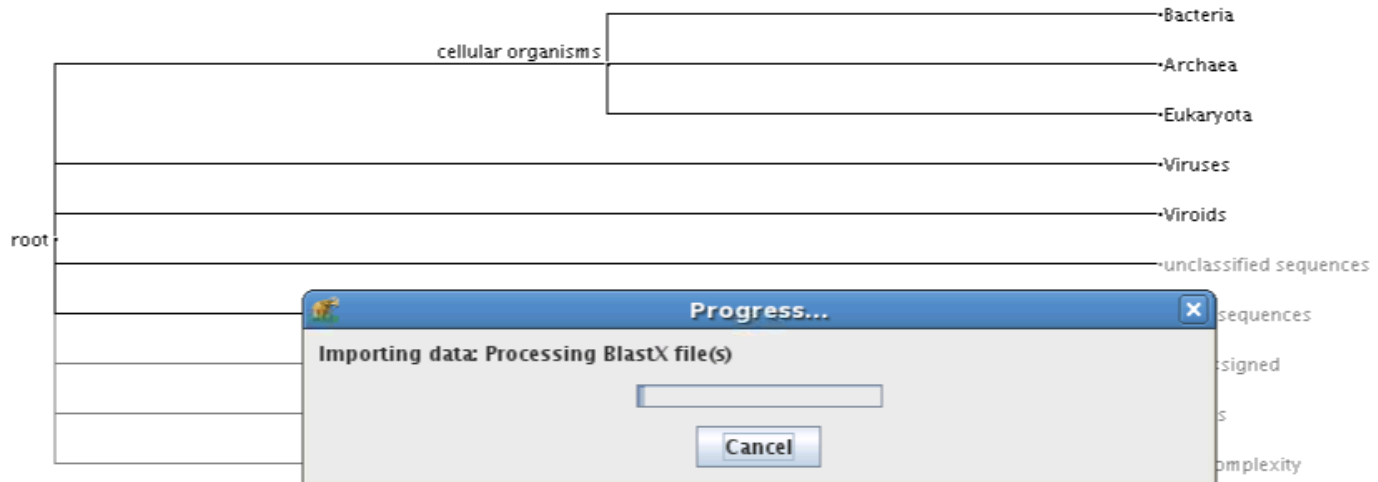
Specify the location of the MEGAN file

Prev Step

Cancel Apply

Untitled - MEGAN (version 4.69.4, built 5 Jul 2012) - Unlicensed - please obtain license

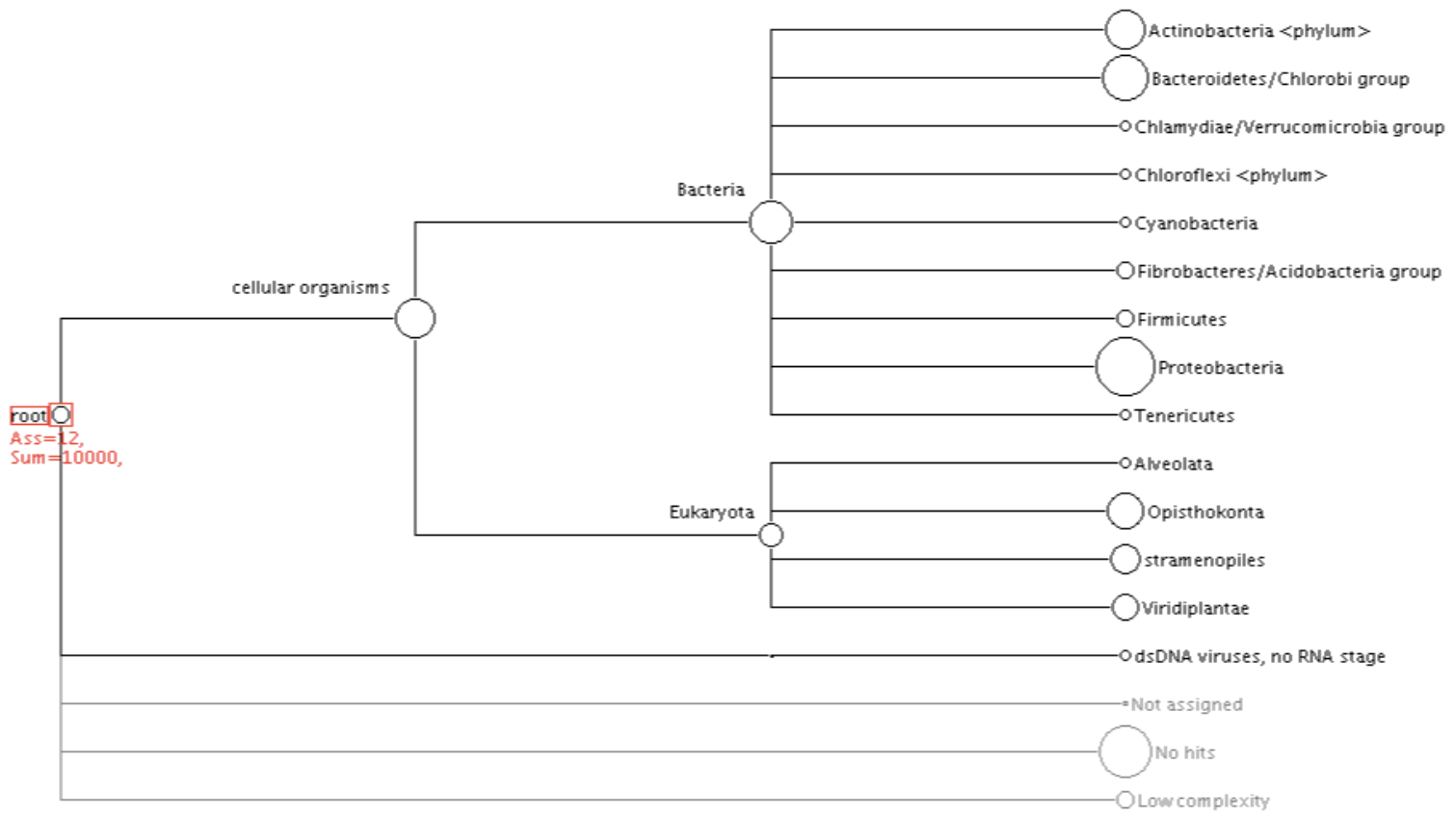
File Edit Select Options Layout Tree Window



Progress...

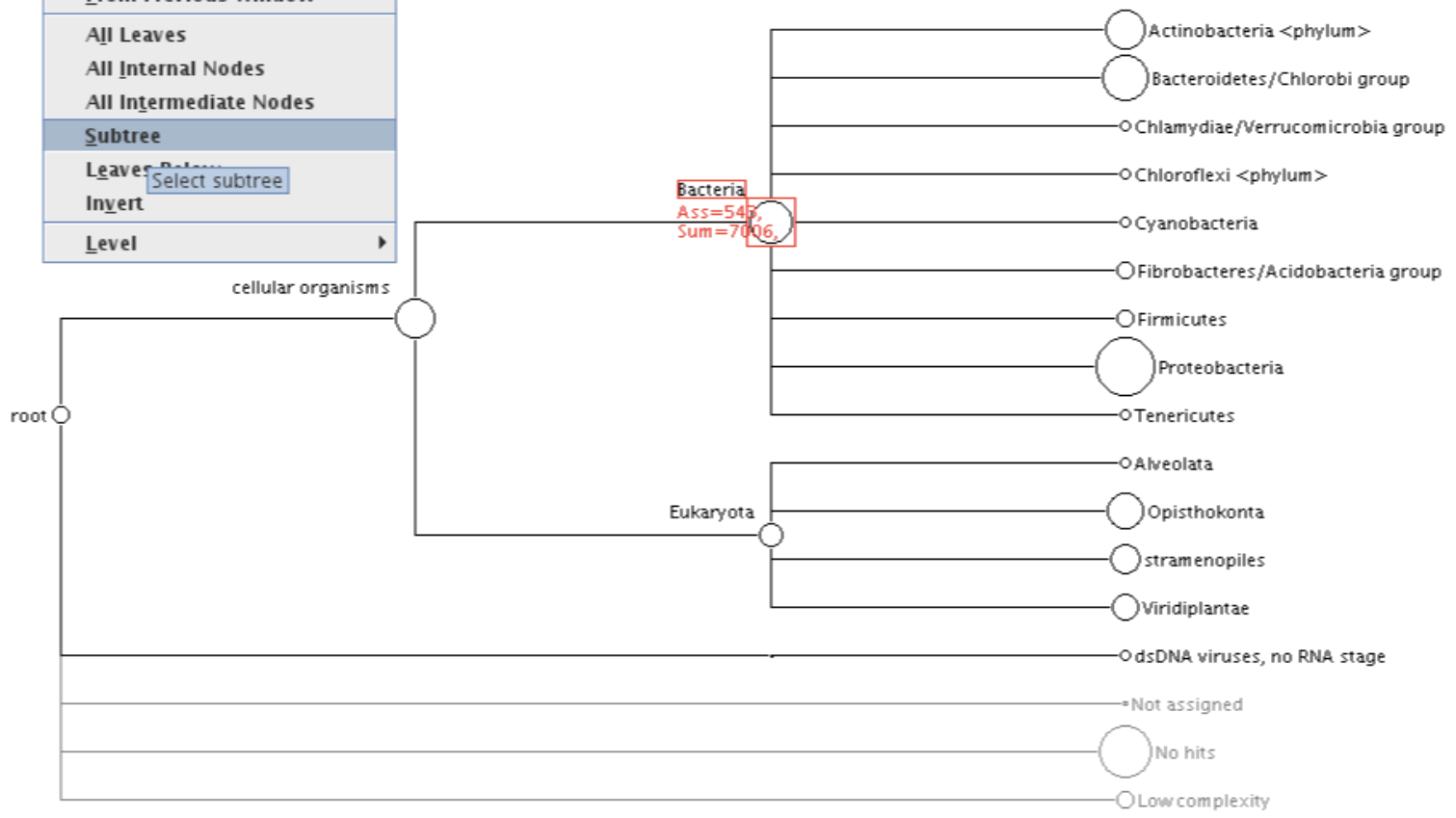
Importing data: Processing BlastX file(s)

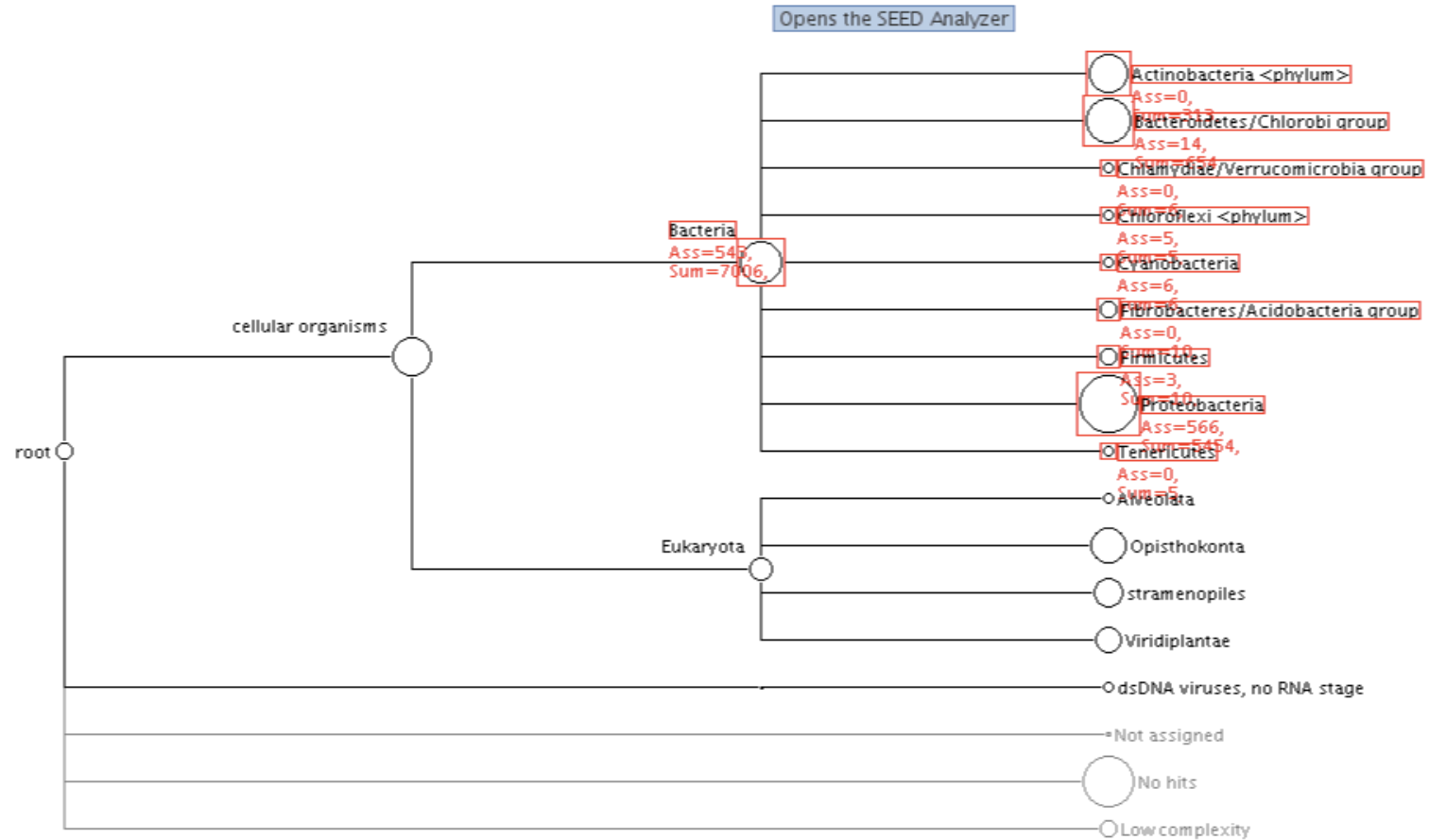
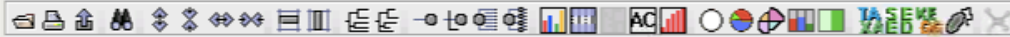
Cancel



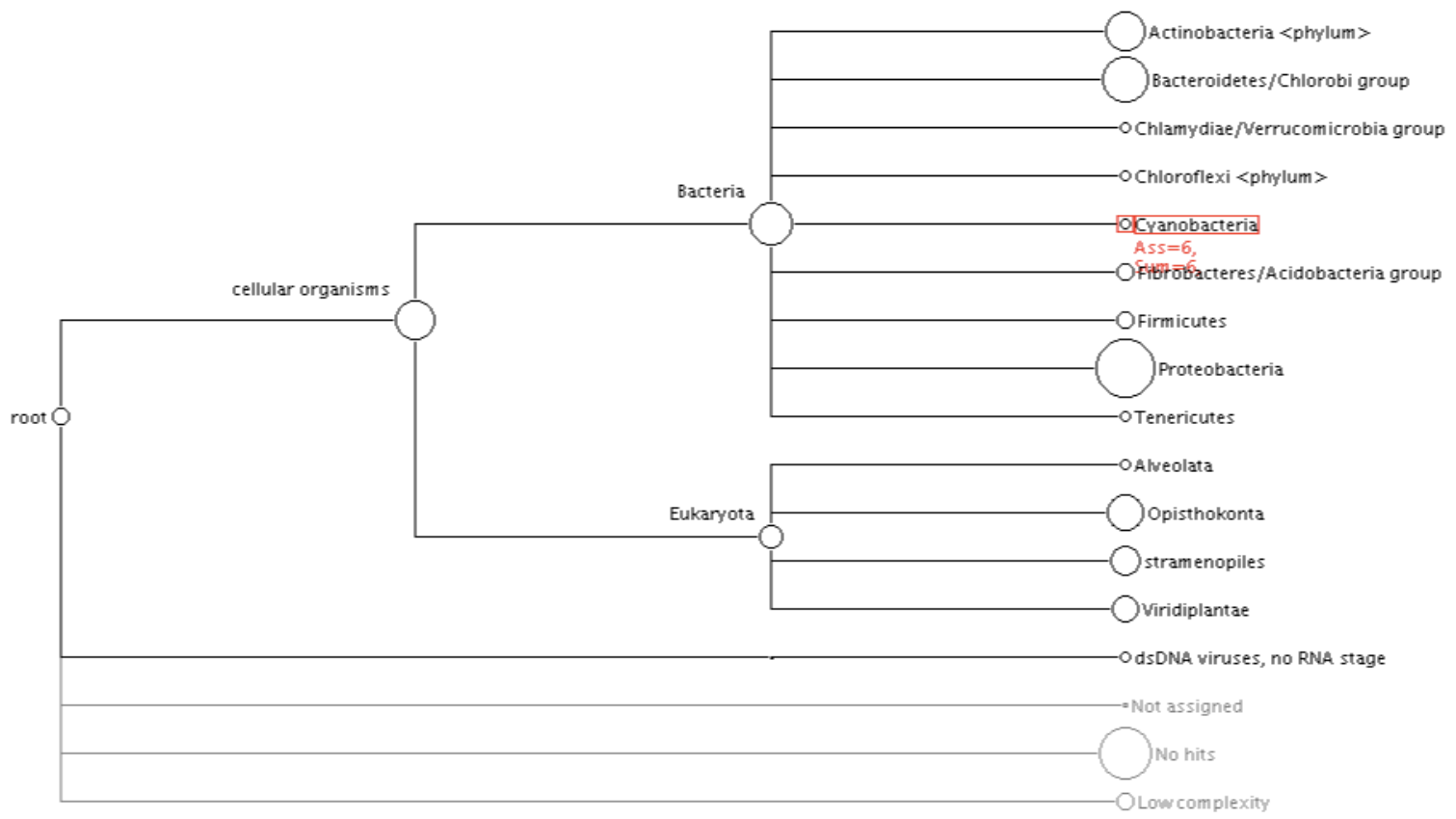
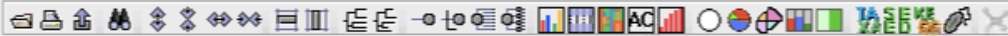


- All Nodes Ctrl-A
- None
- From Previous Window
- All Leaves
- All Internal Nodes
- All Intermediate Nodes
- Subtree
- Leaves Select subtree
- Invert
- Level



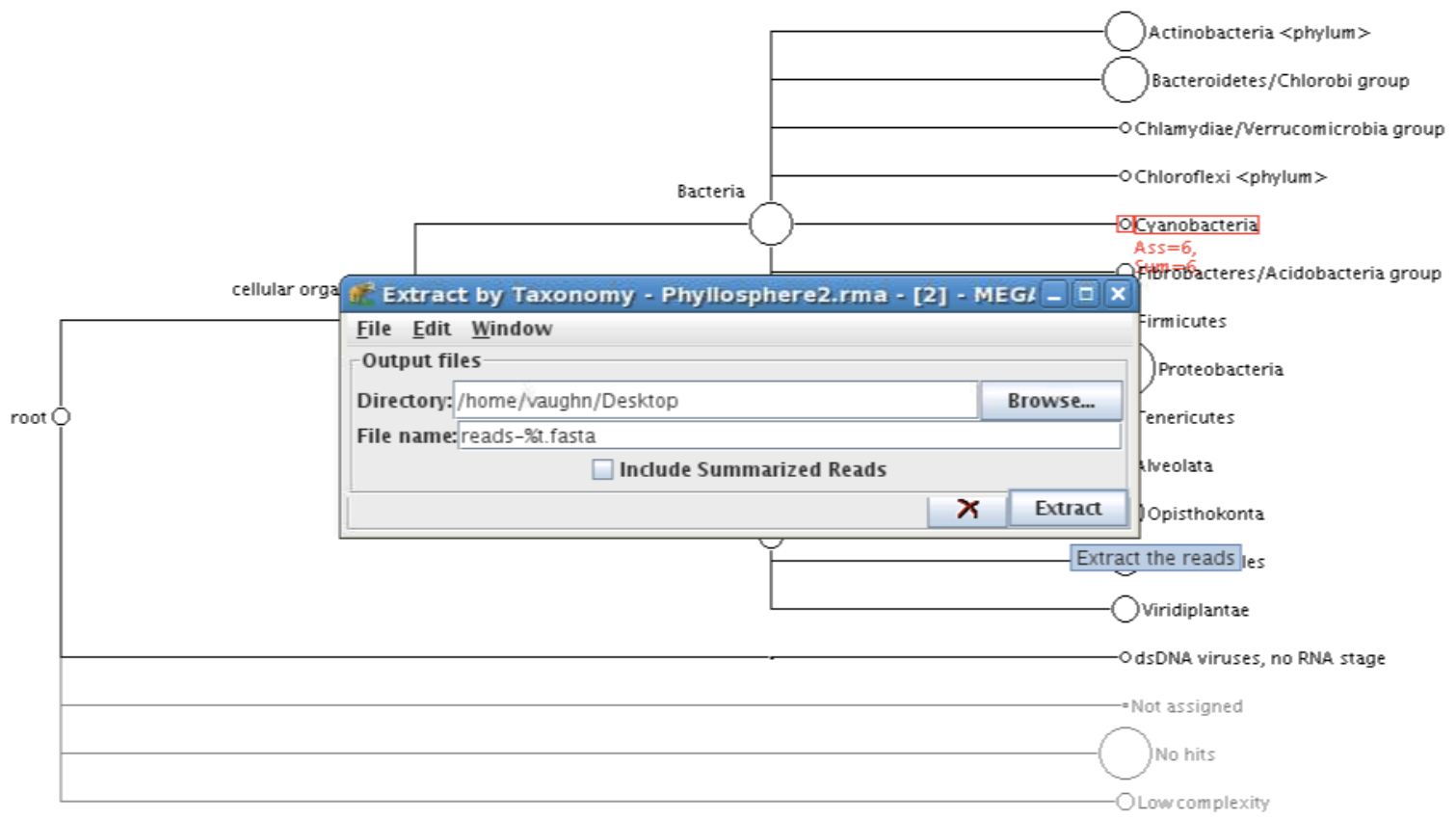
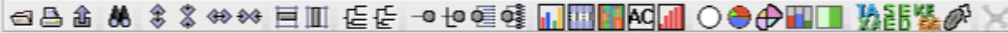


File Edit Select Options Layout Tree Window



Taxa=22 Reads=10000 Assigned=7708 MinScore=35.0 TopPercent=10.0 MinSupport=5 disabledTaxa=12 1062 of 2330M

File Edit Select Options Layout Tree Window



Extract by Taxonomy - Phyllosphere2.rma - [2] - MEG

File Edit Window

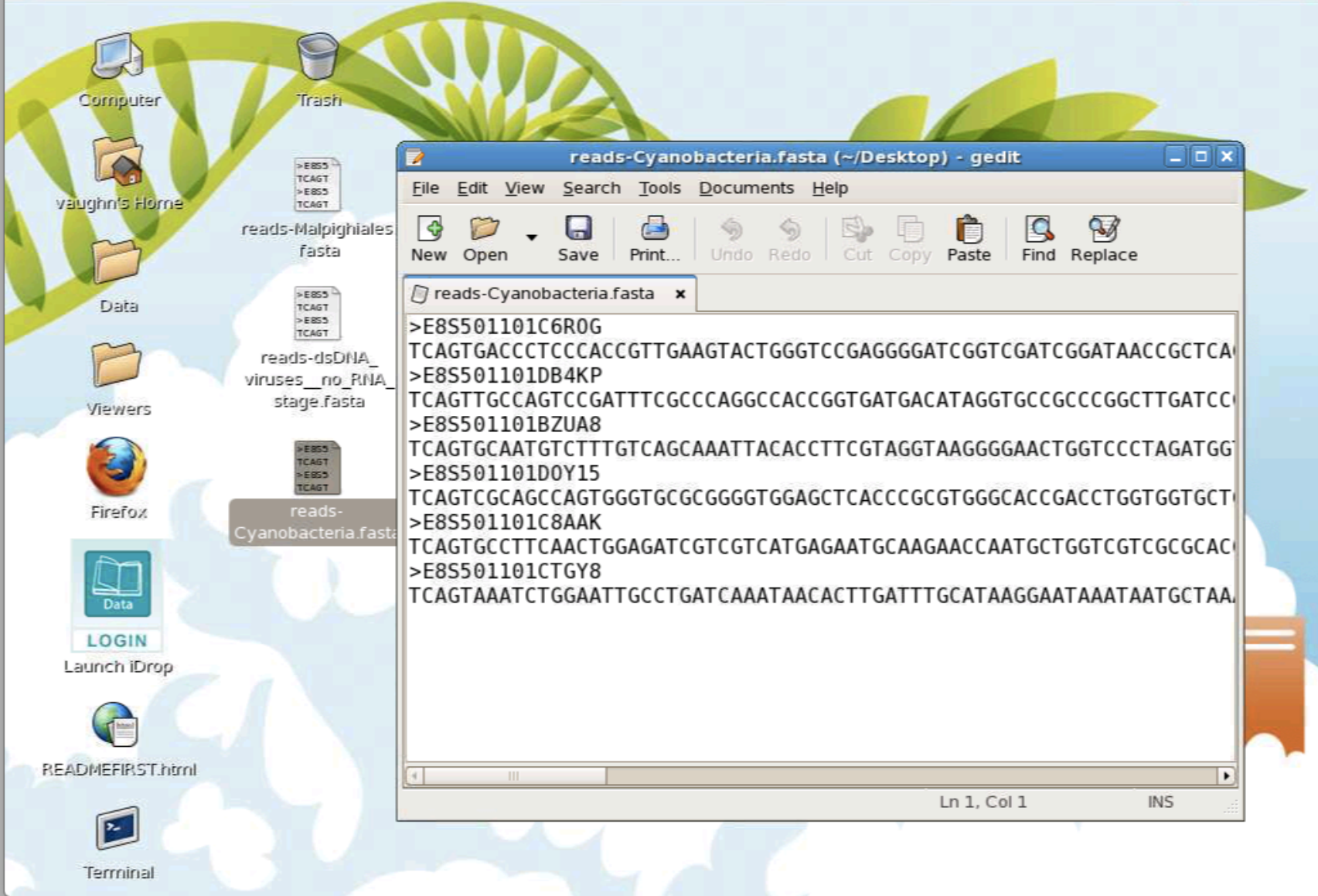
Output files

Directory: /home/vaughn/Desktop

File name: reads-%t.fasta

Include Summarized Reads

Taxa=22 Reads=10000 Assigned=7708 MinScore=35.0 TopPercent=10.0 MinSupport=5 disabledTaxa=12 1063 of 2330M



```
reads-Cyanobacteria.fasta (~/Desktop) - gedit
File Edit View Search Tools Documents Help
New Open Save Print... Undo Redo Cut Copy Paste Find Replace
reads-Cyanobacteria.fasta x
>E8S501101C6R0G
TCAGTGACCCTCCCACCGTTGAAGTACTGGGTCCGAGGGGATCGGTCGATCGGATAACCGCTCA
>E8S501101DB4KP
TCAGTTGCCAGTCCGATTTGCCCCAGGCCACCGGTGATGACATAGGTGCCGCCCGGCTTGATCC
>E8S501101BZUA8
TCAGTGCAATGTCTTTGTCAGCAAATTACACCTTCGTAGGTAAGGGGAAGTGGTCCCTAGATGG
>E8S501101D0Y15
TCAGTCGCAGCCAGTGGGTGCGCGGGGTGGAGCTCACCCGCGTGGGCACCGACCTGGTGGTGT
>E8S501101C8AAK
TCAGTGCCTTCAACTGGAGATCGTCGTCATGAGAATGCAAGAACCAATGCTGGTGTGCGGCAC
>E8S501101CTGY8
TCAGTAAATCTGGAATTGCCTGATCAATAACACTTGATTTGCATAAGGAATAATAATGCTAA
Ln 1, Col 1 INS
```

Opens the SEED Analyzer

Select functions

Export Reads

